



Control T Electrothermic Heads

- Polycarbonate ring -
Stronger, larger, grip collar for easier installation and maintenance
- Tried and tested wax/copper element creating a reliable smooth and controlled operation of the valve
- An extensive range available for both 230V and 24V operation
- Two-wire NC (normally closed) and NO (normally open) versions available
- Four-wire NC (normally closed) version with auxiliary switch which notifies an external components to be energised in calling for heat
- Includes pop-up indicator to show actuator status
- M30 x 1.5 securing ring for ease of installation and maintenance

Technical Product Guide

Control T Electrothermic Heads



- 1 Polycarbonate casing
- 2 Stainless steel spring
- 3 Indicator PPA (35% FV)
- 4 Steel radial stop ring
- 5 Brass shelf EN 12164 CW614N

Emmeti have developed a new generation of Electrothermic heads, built around a sensitive wax/copper element, for responsive actuation. Includes pop up indicator to show the valve in the open position, for ease of installation and maintenance. The loose ring threaded mounting can be used one handed, and the oval body shape allows finger space between each head.

- 6 Polycarbonate base
- 7 M30x1.5 ring nut PA 66 (50% FV)
- 8 PVC cable
- 9 Microswitch 5A
- 10 Wax expansion electrothermal actuator

Control T Electrothermic Heads (continued)

ControlT - Electrothermic head normally closed



Size	Pcs./Pack	Code
230V	1	01213240
24V	1	01213200

The valve opens upon receiving the command from the thermostat via a wiring box or any similar control device.

Technical data

- Absorption 3.45 VA (230 V) 3 VA (24 V)
- Current: AC
- Protection: IP 40 (IP 44 vertical position)
- Cable Length: 1 m
- Breakaway current: 0.35 A (model 24 V) - 0.25 A (model 230 V)
- Closing/opening time: 5-6 min
- Stroke length: 3.6mm
- 2-wire

Maximum closing pressure is 2.8 bar.

Note: The electrothermic heads can be used in conjunction with: Topway T2 and Floor Control Unit manifolds with valves. Supplied with 1m 2 core cable.

ControlT - Electrothermic head normally closed with end switch (5A 230V)



Size	Pcs./Pack	Code
230V with micro switch	1	01213250
24V with micro switch	1	01213210

The valve opens upon receiving the command from the thermostat via a wiring box or any similar control device.

Technical data

- Absorption 3.45 VA (230 V) 3 VA (24 V)
- Current: AC
- Protection IP 40 (IP 44 vertical position)
- Cable length: 1 m
- End switch: 5 A 230 V
- Breakaway current: 0.35 A (model 24 V) - 0.25 A (model 230 V)
- Closing/opening time: 5-6 min
- Stroke length: 3.6mm
- 4-wire

Maximum closing pressure is 2.8 bar.

Note: The electrothermic heads can be used in conjunction with: Topway T2 and Floor Control Unit manifolds with valves. Supplied with 1m 4 core cable. The two additional cores are connected to an auxiliary switch which allows an external load to be energised on operation of the head.

Control T Electrothermic Heads (continued)

Control T - Electrothermic head normally open



Size	Pcs./Pack	Code
230V	1	01213280
24V	1	01213260

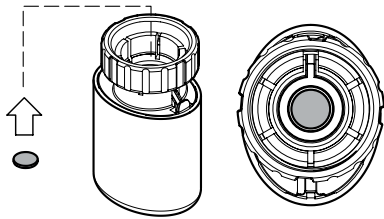
The valve closes upon receiving the command from the thermostat via a wiring box or any similar control device.

Technical data

- Absorption - protection 3.45 VA (230 V) 3 VA (24 V)
- Current: AC
- Protection: IP 40 (IP 44 vertical position)
- Cable Length: 1m
- Breakaway current: 0.35 A (model 24 V) - 0.25 A (model 230 V)
- Closing/opening time: 5-6 min
- Stroke length: 3.6 mm
- 2-wire

Maximum closing pressure is 2.8 bar.

Note: The electrothermic heads can be used in conjunction with: Topway T2 and Floor Control Unit manifolds with valves. Supplied with 1m 2 core cable.



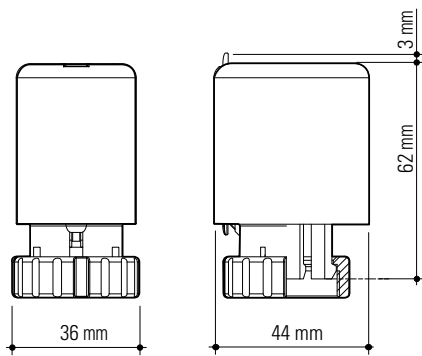
Adaptor for Control T Electrothermic heads

Size	Pcs./Pack	Code
Spacing disc c. 9mm dia. X 1mm thick	12	90039364

Supplied with double sided adhesive tape, for use with Control T heads fitted to other makes of manifold.

Electrothermic Heads

Dimensions



Technical Data

Model	2-wire n/c	4-wire n/c	2-wire n/o
Code : 230V 24V	01213240 01213200	01213250 01213210	01213280 01213260
Enclosure Rating	IP 40 (IP44 vertical position)		
Power absorption	230V:3.45VA 24V: 3VA		
Closing / opening time	5 – 6 minutes		
Auxiliary switch rating	5A 230V		
Stroke length	3.5mm		
Cable length	1m		
Breakaway current	24V: 0.35A 230V: 0.25A		
Connection	M30 x 1.5		